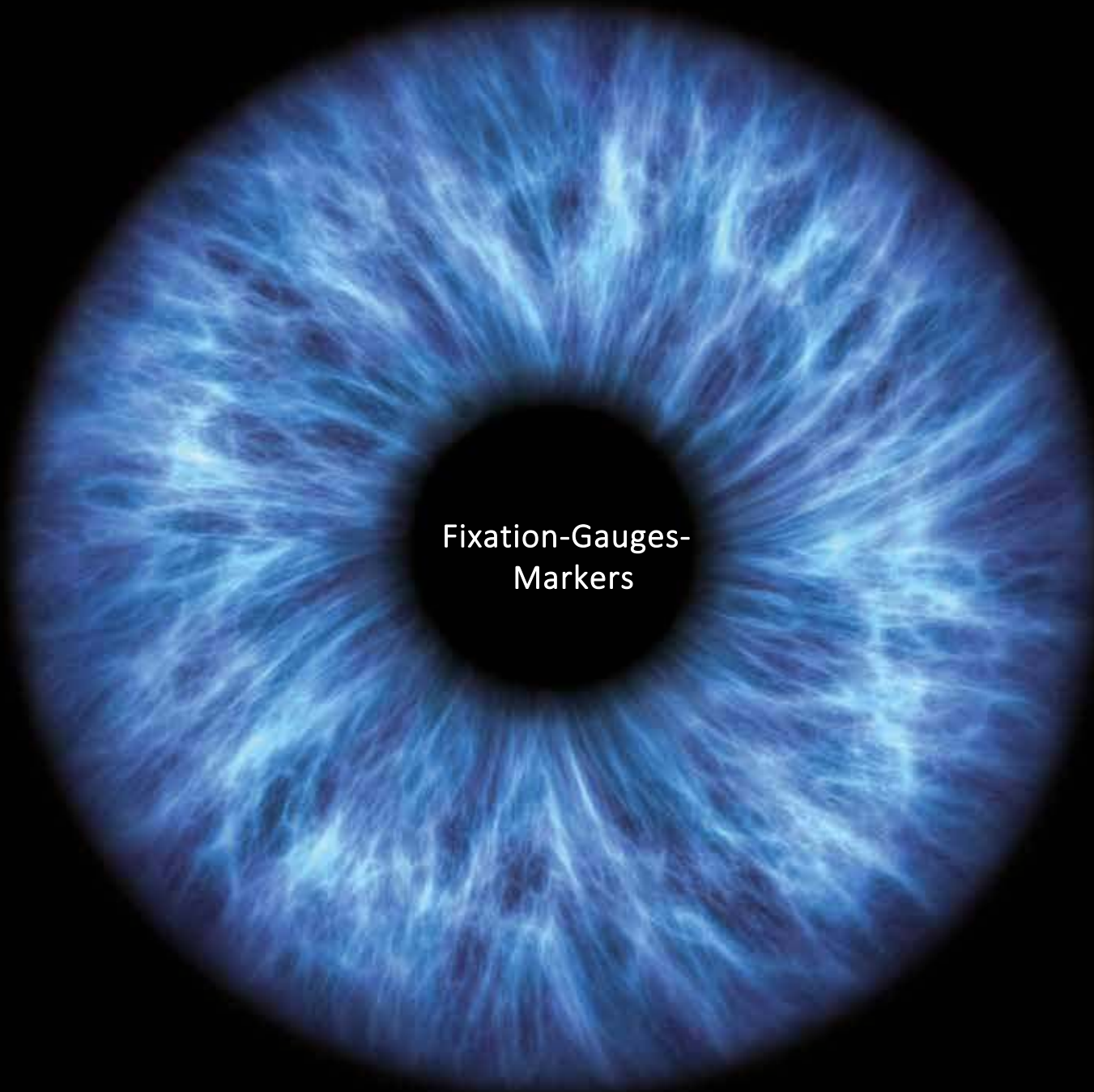




OPHTALMO



Fixation-Gauges-
Markers

THIS IS WHAT THE FUTURE LOOKS LIKE

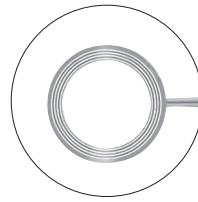
Fixation Rings

Katena

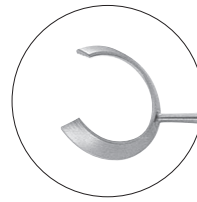
Globe Fixation Ring
with concentric grooves
12mm I.D.

K3-6153 for refractive procedures

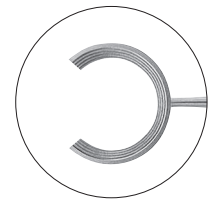
K3-6154 for cataract procedures



K3-6153
bottom



K3-6154
top



K3-6154
bottom



K3-6153

Lu-Mendez

LRI Guide and Fixation Ring
marked in 10° increments
with delicate blunt teeth
11mm I.D.

K3-6158



Gimbel

Stabilization Ring
with swivel handle
13mm diameter with blunt teeth
on both sides

*For stabilizing either the right or
left eye during LASIK.*

K3-6160

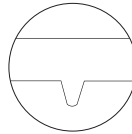


Fixation Rings

Fine-Thornton

Swivel Fixation Ring
conical teeth
Features marks on anterior
surface in 15° increments
as a guide for placement of
limbal relaxing incisions.

- K3-6161** 13mm diameter
- K3-6163** 16mm diameter
- K3-6171** 13mm diameter
short handle



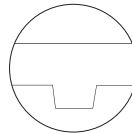
conical teeth



Fine-Thornton

Swivel Fixation Ring
flattened teeth

- K3-6162** 13mm diameter



flattened teeth



Thornton

Globe Fixation Ring
multiple blunt teeth
16mm diameter ring

- K3-6165**



Corneal Markers

Bishop

Muscle Hook
with rotatable
protective plate
*For use on tight
rectus muscles.*

K3-6854



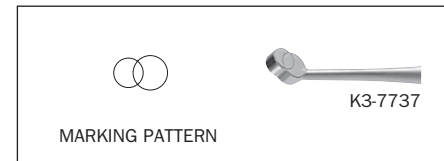
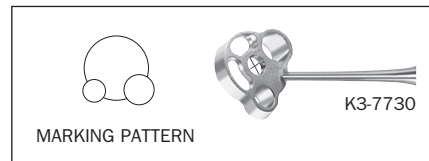
Corneal Marker

for LASIK surgery
*For identification and
realignment of
the lamellar flap.*

K3-7720 Mendez

K3-7730 Chayet

K3-7737 Dulaney



Kellen

Capsulorrhexis Marker
central ring with non-marking
posts for alignment with limbus

K3-7850 6mm diameter marking ring
(for 5.5mm CCC)

K3-7852 5.5mm diameter marking
ring (for 5.0mm CCC)



Corneal Markers

Maloney

Intra-Operative Keratometer
titanium
For qualitative measurement
of astigmatism.

K3-7888



Mendez

Degree Gauge
12mm I.D.
marked in 10° increments
titanium
For accurate axial
alignment on the cornea.

K3-7900



Bores

Axis Marker
(used with K3-7900 Mendez
degree gauge)

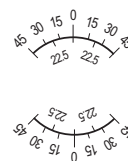
K3-7910



Lindstrom

Arcuate Incision Marker
(used with K3-7900 Mendez
degree gauge)

K3-7996 7mm optic zone



MARKING PATTERN



Corneal Markers

Henderson

Degree Gauge

11.7mm I.D.

Beveled face with markings
in 5° increments

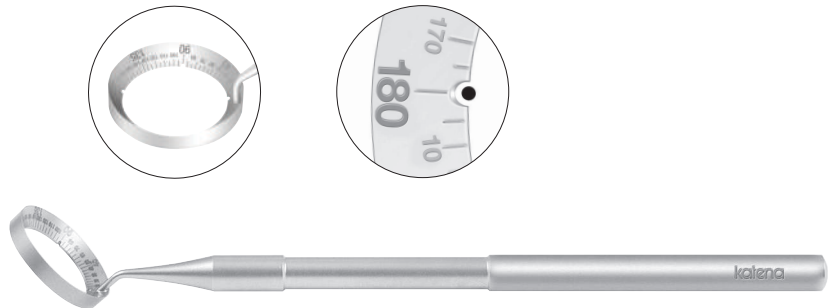
4 notches on internal edge
to align with cardinal positions

titanium

K3-7904

K3-7905 with blunt teeth

for fixation



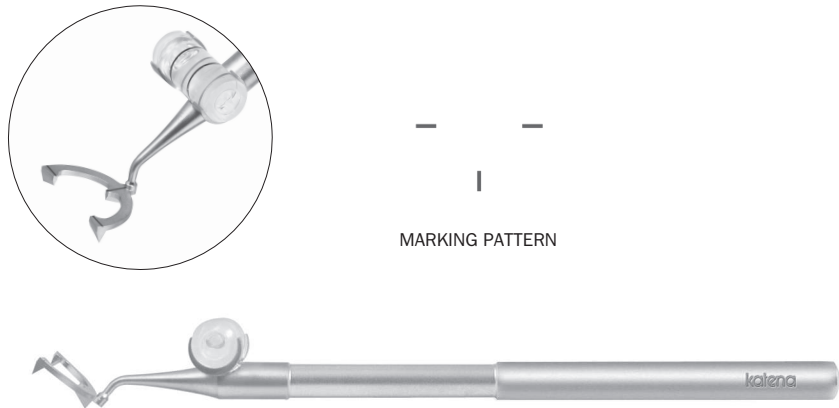
Bubble

Alignment Marker

with bubble level

*For determining and marking
the horizontal axis.*

K3-7906



Henderson

Alignment Marker

with atraumatic

disc-shaped marking

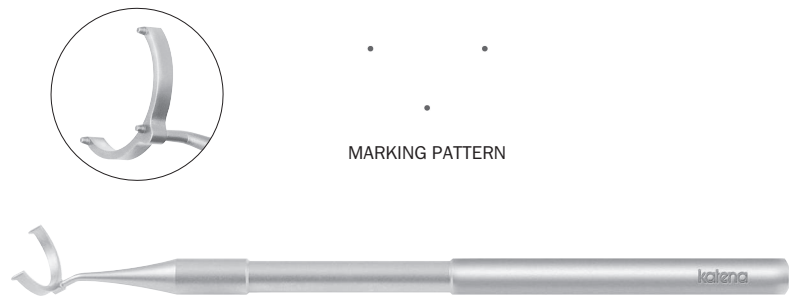
surfaces at 3, 6 & 9 o'clock

titanium

(used with K3-7904

or K3-7905)

K3-7908

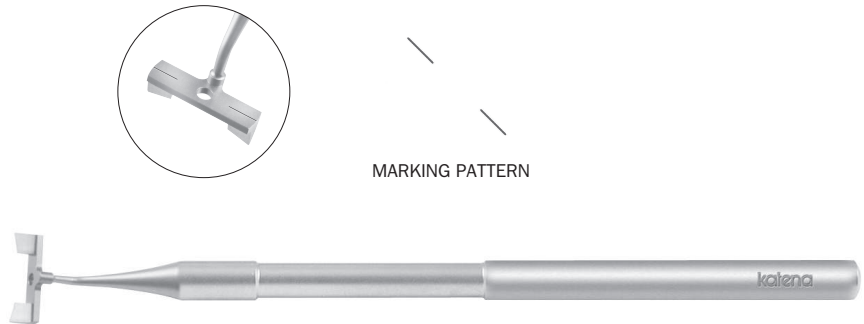


Corneal Markers

Henderson

Toric IOL Marker
two 2.5mm radial
marks extending to 11mm
titanium
(used with K3-7904 or K3-7905)

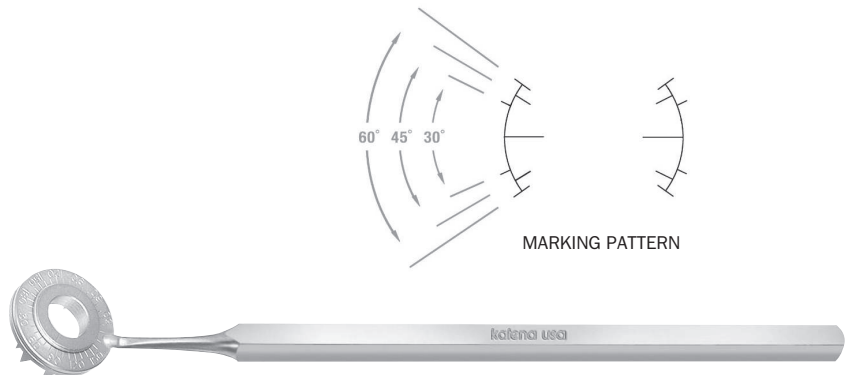
K3-7912



Chu

LRI Marker
rotating degree gauge
with 30°, 45° and
60° landmarks

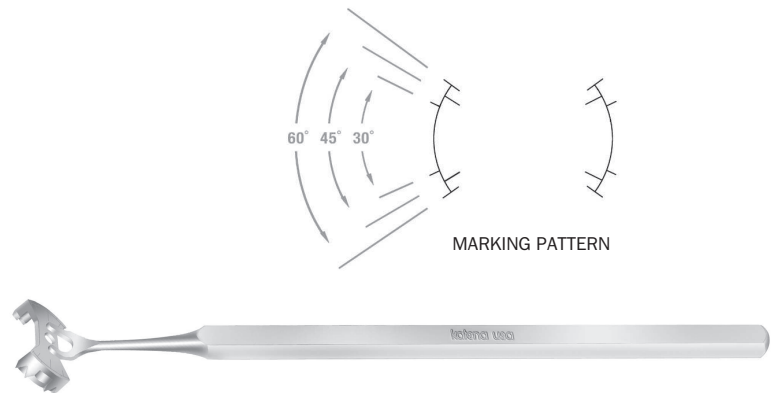
K3-7930



Henderson

Limbal Relaxing Incision Marker
with 30°, 45° and 60° landmarks
(used with K3-7904 or K3-7905)

K3-7936



Corneal Markers

Optic Zone Markers

Bores

K3-8130	3.0mm
K3-8131	3.25mm
K3-8132	3.5mm
K3-8133	3.75mm
K3-8134	4.0mm
K3-8135	4.25mm
K3-8136	4.5mm
K3-8137	4.75mm
K3-8138	5.0mm
K3-8142	6.0mm
K3-8146	7.0mm
K3-8148	7.5mm
K3-8150	8.0mm
K3-8152	8.5mm
K3-8154	9.0mm

Hoffer, with cross hairs

K3-8330	3.0mm
K3-8340	3.25mm
K3-8350	3.5mm
K3-8360	3.75mm
K3-8370	4.0mm
K3-8380	4.25mm
K3-8390	4.5mm
K3-8400	4.75mm
K3-8410	5.0mm
K3-8412	5.5mm
K3-8414	6.0mm
K3-8418	7.0mm
K3-8422	8.0mm
K3-8426	9.0mm



Anis

Radial Marker
4mm diameter
center opening
12.5mm O.D.

K3-8852	8 blades
K3-8854	12 blades (shown)
K3-8855	16 blades



Markers

Anis

Suture Placement Marker

8 radial blades

8mm diameter center opening

For corneal grafts.

K3-8862



Fechtner

Trabeculectomy Marker

K3-8975



MARKING PATTERN



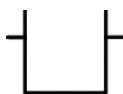
Fechtner

EX-PRESS® Marker

U-shaped 2.75mm marking

pattern. Side landmarks to help identify the insertion site.

K3-8977

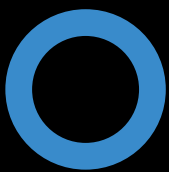


MARKING PATTERN



EX-PRESS® is a registered trademark of Alcon.





OPHTALMO
THIS IS WHAT THE FUTURE LOOKS LIKE

- SURGICAL
- CONSUMABLES
- MEDICAL DEVICE