

premiumLine



Our top model

As the fruit of our decades of experience in the field of ophthalmic and microsurgery, we have managed to design the absolute high-end, top quality model. Allow yourself to be swept away by the innovative materials, the visionary shapes, the elegant design and the sophisticated extra functions.

Set new standards in your operating room!

Come and discover the *eyeForce*, and be dazzled by its economy, effectiveness and quality. It is synonymous for top quality.

Optionally equipped with our *e-drive* system, it is the only treatment chair in ophthalmic surgery business that comes with an automatic easy-push aid. It is the *e-drive* that moves, not the human!

Demand the best!

The "Preventive Technology" award reflects uncompromising lightweight construction, outstanding ergonomic operability, comfortable patient positioning and space-saving design. Back diseases of your operating theater staff are now a thing of the past. This is our contribution to effective health & safety in the workplace.



**High end quality for
ophthalmic surgery**

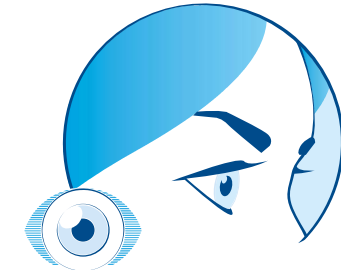
eyeForce

Item No. : 1800 0000



eyeForce + e-drive

Item No.: 1800 0000 + 3316 0000



Ophthalmic surgery



Implantology
Oral surgery
Maxillofacial surgery



Aesthetic surgery
Plastic surgery
Hair transplantation



Hand surgery



The professional world is excited and has honored us with an award!

Our *premiumLine* eyeForce treatment chair was awarded the i-NOVO® Awards Tech Winner Innovation Prize - in recognition of the rational design and extremely high-quality workmanship. We feel honored by this recognition and award.

eyeForce

Item No.: 1800 0000

Our most innovative & modern patient positioning system with auto-run functions - specialized for precision surgery in head area. With *e-drive* easy-push aid, Steering Guide and SES automated extension system - for even more ergonomics & economy at your workplace.

**Trendsetting comfort
and supreme quality**



MED.TEC at its highest level

Double castors

Four fully rotating double-run castors for back-friendly and easy rolling motion.



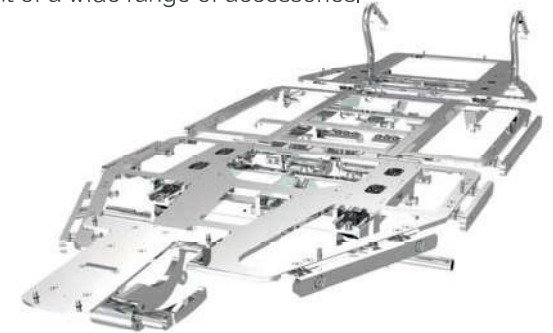
Chassis

Precision lightweight chassis made of cast aluminum.



Frame

Highly stable stainless steel frames. Lasercut procedure. Including standard rails 25 x 10 mm for the attachment of a wide range of accessories.



Precise positioning of the head part

Headrest

3D and longitudinally adjustable headrest element with head molding and neck support for guaranteed safe and correct positioning of the head.



Accessories

Headrest with ball joint and more

Discover additional features and extensive accessories on page 22-23.

Item No.: 3351 1020



Sterile adjustment by surgeon / maximum legroom



Tilttable foot control

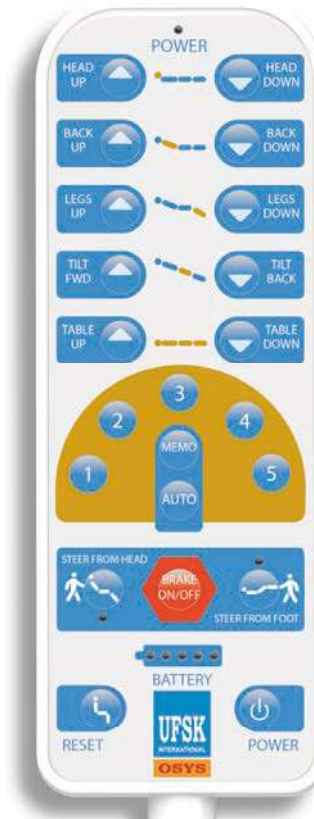
Tilttable foot control via two 4-way joysticks plus activation switch allow sensitive and precise chair adjustment even after the surgeon is already sterilized. Pushing the pedal lip (by foot) will activate the electronic control and battery mode of the equipment.



Positioning

The **eyeForce** treatment chair is adapted for patient positioning and ergonomic and comfortable patient treatment, in particular for outpatient surgical techniques, and offers versatile adjustment of the head, back, seat and leg sections and overall chair height for patient transport.

- Five freely configurable memory positions
- Reset button
- Auto run function and
- Battery charge indicator



Hand control

Activate memory function / automatic movement

It is possible to save 5 MEMO positions: Set the desired position (hold down the MEMO key until the orange LED lights up). Then press the numeric key of a memory location for a MEMO position - the MEMO position is now saved.



Press and hold "AUTO" until the LED lights orange, then briefly tap on either 1, 2, 3, 4 or 5 to move to the desired position of the surgical bed.



All castors are braked (red)



Positioning by hand control

Standard recommended memo keys



"Steering Guide" maneuvering aid



Operation via push handles and hand keypad

The *eyeForce* treatment chair offers an electronically controlled braking system with "Steering Guide" function. In addition to "free movement" and "brake applied" the treatment chair offers directional guidance as an additional electronic wheel positioning function. This additional function facilitates the controlled maneuvering of the chair by just one person and can be activated from both sides of the chair via the chair handles or optionally via the manual keypad.

Directional guidance is activated (orange)



Directional guidance is deactivated (green)



Pushing from the head direction



Pushing from the foot direction



PREMIUM LINE

Surface-Extensions-System "SES" positioning aid



Automated solution for patient positioning

Both the backrest and the legrest segments automatically move 50 mm along with the patient when moving the chair into the reclined or entry position. The "SES" avoids patient repositioning, which would otherwise be necessary, by extending and flexing the individual segments. Returning the leg segment to the entry position reduces the entry height by an additional 50 mm.

Retractable push handles

Manually adjustable push handles on the foot end with automatic return function, for easy patient transfer.



Movement in reclining position

without „SES“



with „SES“



Movement in entry position

without „SES“



with „SES“



eyeForce + e-drive

Item No. : 1800 0000 + 3316 0000

Powerful yet gentle.

e-drive system for effortless and rapid movement of the chair over long distances. The new optional system consists of a 5th wheel with drive motor. It serves as a pushing aid for easy forward and backward movement – with an extra range of 2 kilometers per battery charge. The system's operation is identical to that of the "Steering Guide" system, via the respective push handles with potentiometer for infinite and precise speed adjustment. It is possible to integrate the system any time at a later date.



The electronic push-aid

Control over push handles

Push handle at the left head/foot end with a rocker switch for moving the treatment chair forward and back.



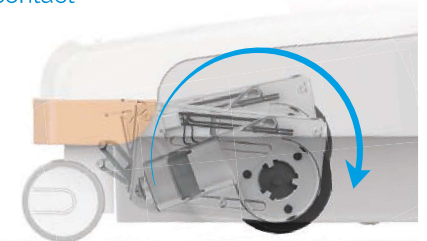
Push handle at the right head/foot end with a potentiometer for speed control.



Low-noise movement/trackless movement

By switching on the fifth electronically drive wheel in the chassis of the chair, the physical labor of the person doing the pushing is noticeably reduced.

- Shock-free transport
- Long-lived design
- Optimum floor contact
- Long range



The ease of pushing - How much force is needed to move 200 kg? - Zero.

Who would have thought this is possible?

This is how far your staff pushes a load of 300 kilograms per year: approximately 70 meters per surgery round; 1,000 surgeries per year; up to 700 kilometers per year.



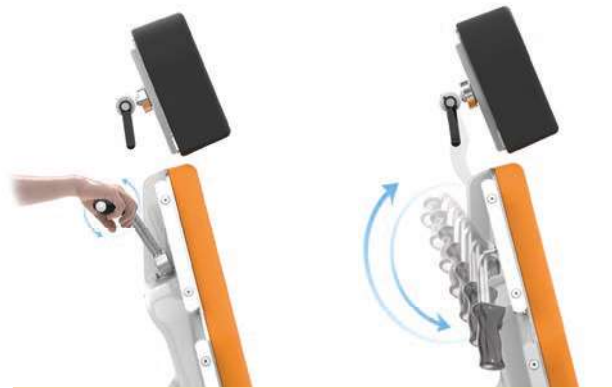
More than 1,000 **eyeForce** with **e-drive** are already in use in eye clinics all over the world: up to 700,000 kilometers per year!



PREMIUM
LINE

Push handles 2.0 - perfect interaction - top-of-the line mobility and ergonomics.

NEW



More legroom in the operating theater! Space-saving. Fold-down handles on the head end.



Solid, ergonomically shaped handles at optimized pushing height.



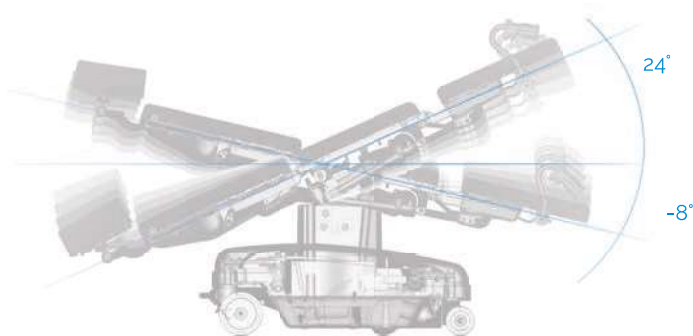
Technical specifications



Chassis

- Outside length 900 mm
- Outside width 662 mm
- Brake system acting on all four castors
- Directionally guided steering ("Steering Guide"), easily activated at the push of a button
- Castor diameter, electr. conductive $\varnothing 150 / 100$ mm
- Foot control element with joystick (total, head, back, Trendelenburg up / down)
- Emergency stop button
- Optional push-aid (*e-drive*)
- With equipotential bonding connection
- Abrasion-resistant corner guards (orange) made of synthetic rubber

Trendelenburg / Reverse Trendelenburg

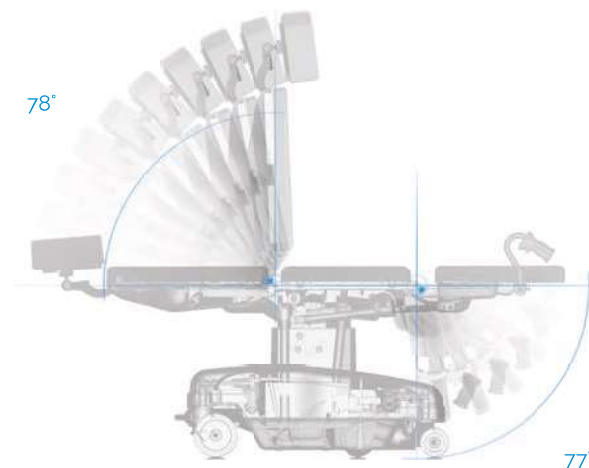


Upper frame

- 4-part support frame (head, back, seat, leg part)
- Removable upholstery 40 mm
- Width of upholstery 650 mm
- Standard stainless steel side rails on both sides 25 x 10 mm
- Width incl. norm rails 700 mm
- Length 1.800 – 1.940 mm

	Angle	Dimensions (L x w)
- Head part	-31° / +18°	255 x 245 mm
- Back part	0° / +78°	610 x 610 mm
- Seat part	-5° / +35°	450 x 610 mm
- Leg part	0° / +77°	510 x 610 mm
- Height adjustment		670 – 900 mm
- Trendelenburg	-24° / +8°	
- Entry height		620 mm
- Legroom		490 – 720 mm

Back / Leg part



Electrical control

Manual keypad

- Memory controller with 10 buttons for head, back, seat, leg part – total up / down; 2 buttons for directionally guided steering, 1 button for electronic brake, 1 easy entry button, memory button, on-off button, auto-run function
- 5 freely programmable memory positions
- Visual battery level indicator

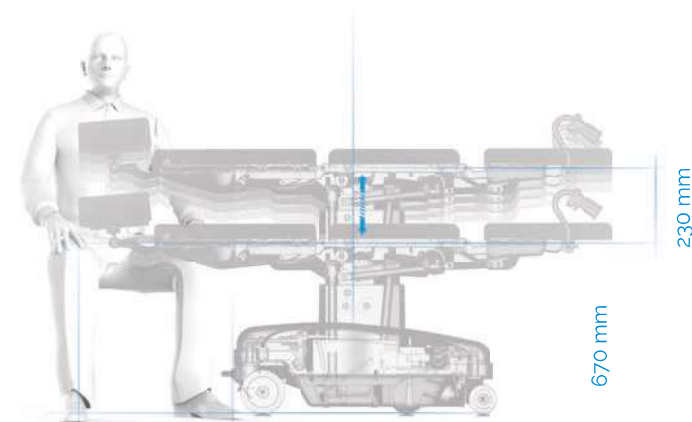
Foot control element

- Foot control element 2 joysticks plus activation switch
- Optional push-aid (*e-drive*)

Electric drives

- Head, back, seat, leg part, total up / down
- Trendelenburg / Reverse Trendelenburg

Height adjustment



Powerful accumulators

- Power supply-independent battery unit with 2 batteries (lead-gel), pollution free, maintenance-free, cadmium-free
 - Quick-exchange battery drawer replaceable without tools
 - Universal battery charger
- Input: 100-240 V
Output: 24 V

Operating time per battery charge

- Measured by operating circle (Prepare-Operate-Recover) 100 OPs
- Quantity of operating circles depends on individual operation

Max. load 250 kg

Weight 165 kg

Subject to technical modifications.

Mains-free operation

Easy recharging of the equipment thanks to charging adapter and integrated battery charger circuit board.



Simple battery replacement

An additional quick-exchange drawer (including batteries) allows you to quickly replace the rechargeable battery packs (back-up-system **Item No.:** 3339 0000).



Equipment protection - cover drape *stayClean*

100x73 cm, box á 240 Pieces
4x60 Pieces

Item No.: 3016 0001

200x73 cm, box á 160 Pieces
4x40 Pieces

Item No.: 3034 0014

Page 62

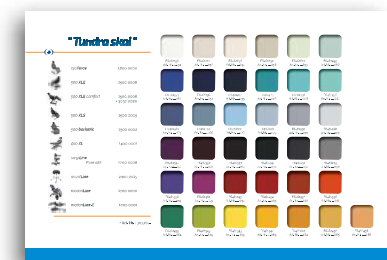


Colour card

Standard colour

anthracite **Item No.:** 3037 0052

"Tundra skai"
Page 95



Accessories



eyeForce

Item No.: 1800 0000



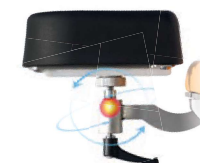
e-drive,
upcharge

Item No.: 3316 0000



Backup battery drawer
incl. batteries

Item No.: 3339 0000



Headrest with ball joint,
360° all-round adjustment,
factory-fitted

Item No.: 3351 1020



Hand operating table with
mounting clamp, table top
and supports on castors
height adjustable

Item No.: 3313 0000



Side parts (right+left),
incl. quick-release clamp
for mounting on norm rail,
580 x 200 mm

Item No.: 3351 0050



Side rails (right+left)
swiveling incl. locking,
upholstered

Item No.: 3102 0000



Padded arm board
with universal joint,
incl. mounting clamp

Item No.: 3011 0000



Mounting clamp polished
aluminium, with quick clamp
lever for norm rail 25 x 10 mm
incl. locking device

Item No.: 3090 0000



Flexible surgical drape
support rod (mounting
clamp 3090 0000 not
included)

Item No.: 3032 0000



Flexible surgical drape
support rod with air
connection (mounting clamp
3090 0000 not included)

Item No.: 3033 0000



Hand remote bracket,
PVC

Item No.: 3018 0009



Hand control holder for
attachment onto an I.V. Pole
Ø 25 / 18 mm, PVC

Item No.: 3027 0006



Head part bumper stainless steel

Item No.: 3028 0000



Wrist rest incl. mounting plate 3013 0000, adjustable

Item No.: 3014 0000



Wrist rest incl. mounting plate 3013 0000, adjustable, tiltable

Item No.: 3014 0005



Mounting plate stainless steel for the wrist rest 3014 0000

Item No.: 3013 0000



Head fixation pillow with hollow (rubins pillow), 41 x 25 cm, height 10 cm

Item No.: 3022 0000



Shoulder parts, right and left

Item No.: 3043 0000



Instrument table 50 x 30 x 1,5 cm, height adjustable, swiveling, detachable, incl. monitor arm

Item No.: 3065 0003



Monitor arm stainless steel, swiveling, incl. extendible I.V. Pole Ø 25 mm

Item No.: 3024 0000



Monitor arm stainless steel, not swiveling, incl. extendible I.V. Pole Ø 25 mm

Item No.: 3334 0000



Wrist secure straps, pair

Item No.: 3015 0000



Bodystrap with Velcro straps 2-piece

Item No.: 3083 0000



Foot protection foil

Item No.: 3328 0000



Foot part extension, attachable, incl. norm rail

Item No.: 3351 0002



Step

Item No.: 3351 0042



I.V. Pole stainless steel Ø 25 / 18 mm, one-hand height-adjustable 1070-1660 mm, 4 hooks, max. 2 kg 84,4 lbs/hook, glass and holder

Item No.: 3068 0000



Half round bolster pillow 60 x 28 x 14cm, cushions knees, PUD-coated

Item No.: 3019 0000



Full round bolster pillow, cushions knees, 50 x 15 cm, PUD-coated

Item No.: 3050 0000



Upholstery incl. integrated knee roll, factory-fitted, upcharge not discountable

Item No.: 3037 0263



Cylinder holder

Item No.: 3072 0001



Instrument table *supportLine* height adjustable 73-98,5 cm
Item No.: 33510026
supportLinePlus height adjustable 93-118,5 cm
Item No.: 3351 0045



stayClean cover drape for treatment chair, 100 x 73 cm, box à 240 pieces
Item No.: 30160001
200x73 cm, box à 160 pieces
Item No.: 3034 0014