

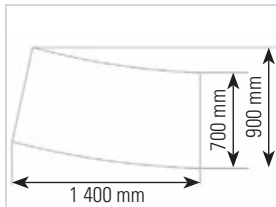


REFRACTION UNITS

COMBI 7000-5500

ANSWER TO ALL OPHTHALMIC AND OPTOMETRIC NEEDS

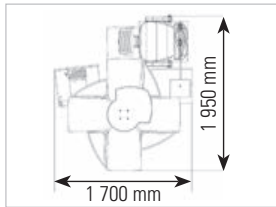
Combi 7000 and 5500 are state-of-the-art systems Automation, ergonomic and modern design are the key features of these 2 refraction units.



FEATURES AND BENEFITS

Combi 7000 specific features

- > The only fully automatic unit
- > Automatic rotation
- > Automatic sliding table for 4 instruments
- > Phoropter arm (option)
- > Soft rotation and sliding movements with smooth acceleration and deceleration
- > More comfort with automation of the user and patient movements (like re-initialization)

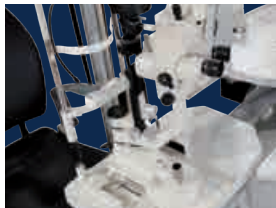


Combi 5500 specific features

- > Manual rotation
- > Manual sliding table for 4 instruments
- > Phoropter arm (option)
- > Large handle for easy operation (Rotation and sliding)

Common features

- > Automatic up/down movement for instruments table from 800 to 950 mm
- > Column with LED adjustable lamp and projector support plate
- > Rotating console with control panel, drawer and room for storage (trial lens case in option in the drawer)
- > Electric elevation chair seat height: from 480 to 670 mm
- > Reclining back rest
- > Removable arm rest and foot rest.



Automatic sliding table



Control Panel



Drawers



Desk for personal computer (option)



TECHNICAL SPECIFICATIONS

REF.

7220067 Combi 7000 right version
 7220068 Combi 7000 left version
 7220065 Combi 5500 right version
 7220066 Combi 5500 left version

Power supply	230 Vac 50 Hz (230 Vac 60 Hz - 110 Vac 60 Hz)
Working table voltage	3-12 Vac 230 Vac 110 Vac 50 Hz 60 Hz
Foot print	1950 mm x 1700 mm [76.8 in x 66.9 in]
Electric elevation chair seat height	from 480 (18.9 in) to 670 mm (26.4 in)
Automatic up/down movement for instruments table	from 800 (31.5) to 950 mm (37.4)
Unit colour	light and dark grey (ral 7035 - 7037)
Chair colour	Black skai fabric
Standards	MDD, CE

COMBI 400

THE QUALITATIVE, FUNCTIONAL REFRACTION UNIT

The Combi 400 is an impressive refraction unit with its luxurious material choice and high-class design. The arm rests and the foot rests are made in solid aluminium and give the unit a sophisticated impact. Arm rests with optional wooden accents correlate with the finish featured on the instrument table. Additionally, the stylish refraction chair is covered with black Simili leatherette. With Combi 400 beauty is not just skin deep.

All important operations are operated electromotive using a user friendly control panel. Two light sources create the optimal illumination of the entire working environment. The net result is a system that aims at satisfying all of your needs.



Wheel chair access



Drawer for accessories

FEATURES AND BENEFITS

- > High-class design and luxurious choice of material
- > Electromotive handling
- > Extensive overhead illumination
- > Two variants: right and left orientated execution
- > Clear control panel for all functions
- > Direct illumination for reading tests ideal for Low Vision

The instruments table of the Combi 400

The height-adjustable instruments table of the Combi 400 is completed in high-class wood (optional). The instruments table is equipped for up to two instruments and all movements of the instruments table can be navigated by the electromotive control panel, moving the instruments into position effortlessly and silently.

- > Linear instruments table for two instruments
- > Electromotively height adjustable
- > Electromotive feed forward of the instruments table
- > Automatic powering of the instruments during positioning.

Phoropter operation with the Combi 400 (optional)

When a phoropter is used for refraction the height adjustable phoropter arm is put into the proper electromotive position. The phoropter can also be tilted to facilitate a comfortable angle for reading, which is further assisted by way of an additional light source to illuminate the reading test type.

- > Linear feed forward of the Phoropter arm
- > Electromotive height adjustable Phoropter arm
- > Tilting Phoropter arm for comfortable reading position

The comfort refraction chair of the Combi 400

The comfortable refraction chair is electromotive height adjustable, as well as forward and backward adjustable to move the patient to the desired position in a quick and secure manner. For special cases the backrest can be reclined and the arm rests can be pivoted. The refraction chair can also be pivoted away to allow easy access for patients in a wheelchair.

- > Comfortable refraction chair with stylish black Simili leatherette covering
- > Electromotively height adjustable refraction chair
- > Refraction chair is pivotable and tiltable
- > Foot rest and arm rest can be folded-away if wanted
- > Automatic security-switch to protect the patient
- > Moveable to permit wheel chair access

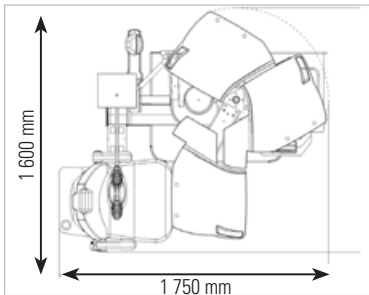
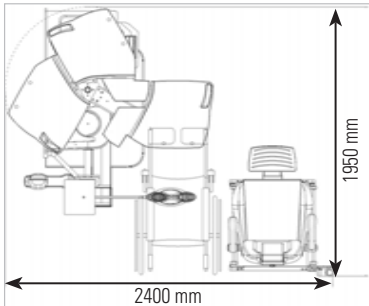
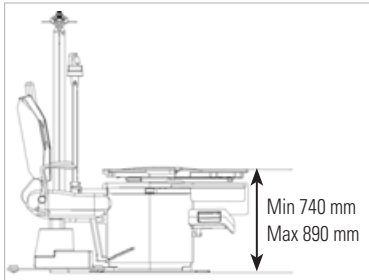


TECHNICAL SPECIFICATIONS

REF.	7220063 - Combi 400 refraction unit right 7220064 - Combi 400 refraction unit left
Min. seat height	530 mm [20 in]
Max. seat height	720 mm [28 in]
Inclination	70° adjustable-tilt
Seat adjustment	16 cm (6.2 in) back & forward
Arm rest	Pivotable
Standards	MDD, CE

VX3000 - VX3000H

THREE INSTRUMENTS UNIT



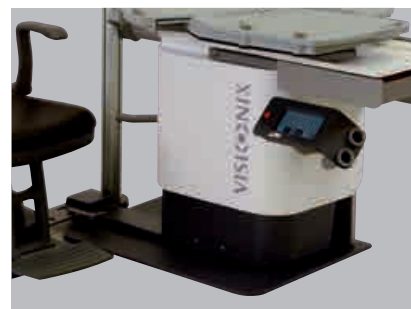
FEATURES AND BENEFITS

- > Rotary table
- > Available in RIGHT or LEFT handed version
- > Table for 3 instruments with manual rotation and manual sliding working position
- > Electro mechanic locking system for table in any position
- > Console with touch screen control panel + hand instruments support
- > Column with adjustable led lamp and projector support plate
- > Electric elevation chair
- > Reclining back rest
- > Removable arm rest and foot rest





Trial Lens Tray



Three instruments table

FEATURES

Back rest inclinasion	•
Armrest	•
Footrest	•
Removable armrest	•
Removable footrest	•
Seat backward - forward	Option
Seat rotation	180°
Seat up/down	•

VX3000

Chairs and Stands

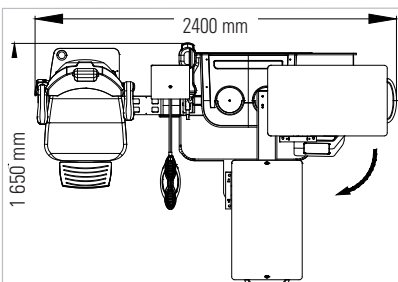
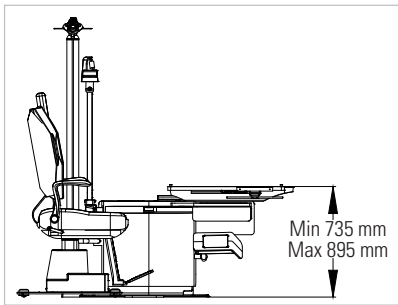
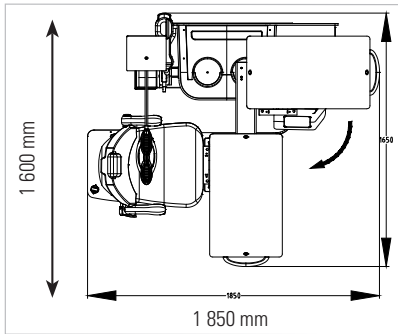
TECHNICAL SPECIFICATIONS

REF. 8115-3000-01 VX3000 with three instruments table (right)
 8115-3000-02 VX3000 with three instruments table (left)
 8115-3000-11 VX3000 H with electric elevation table (right)
 8115-3000-12 VX3000 H with electric elevation table (left)

Dimensions	1600 X 1750
Weight	250 Kg (551 lbs)
Height of the seat	530 - 720 mm
Table up/down	H Model
Height of the Table VX3000	890 mm
Height of the table version H	740 - 890 mm
Maximum weight for the table	External position / Internal positions 30 Kg (66 lbs) Internal position 25 Kg (55 lbs)
Maximum weight for the chair	135 Kg (297 lbs)
Voltage	230Vac 50 Hz (230Vac 60Hz – 110Vac 60Hz)
Working table voltage	Instrument 1 = 12 V / Instrument 2 = 220 V / Instrument 3 = 220 V
Standards	ISO 9001:2008 - ISO 13485:2012

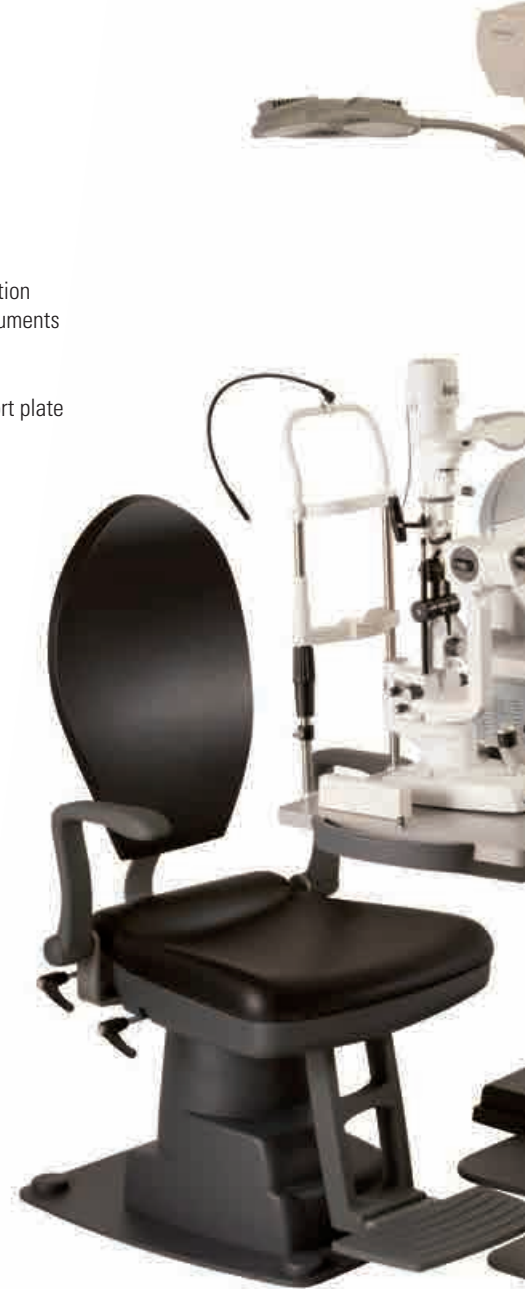
VX2000 - VX2000H

COMFORTABLE TRENDSETTER UNIT



FEATURES AND BENEFITS

- > Available in RIGHT or LEFT handed version
- > Sliding table for 2 instruments
- > Electro mechanic locking system for table in any position
- > Console with touch-screen control panel + hand instruments support
- > Drawer
- > Column with adjustable led lamp and projector support plate
- > Electric elevation chair
- > Reclining back rest
- > Removable arm rest and foot





Control panel



Drawer accessories

VX2000

Chairs and Stands

TECHNICAL SPECIFICATIONS

REF. 8115-2000-01 VX2000 with 2 instruments table (right)
 8115-2000-02 VX2000 with 2 instruments table (left)
 8115-2000-11 VX2000 H with electric elevation table (right)
 8115-2000-12 VX2000 H with electric elevation table (left)

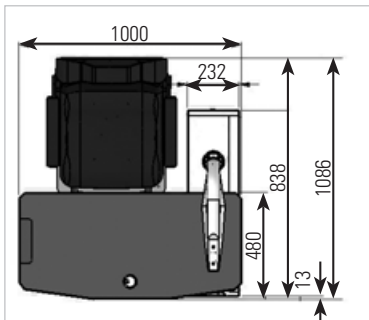
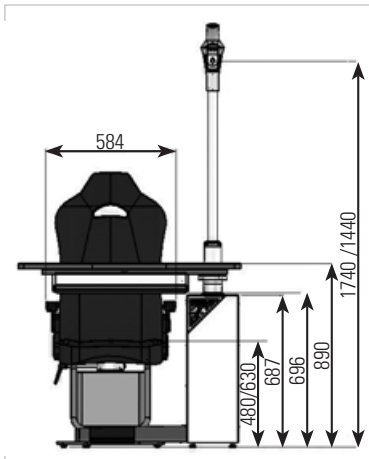
FEATURES	
Seat rotation	•
Back rest inclinasion	•
Armrest	•
Footrest	•
Removable armrest	•
Removable footrest	•
Seat up/down	•
Table up/down	H Model
Seat backward - Forward	Option

Dimensions	1600 X 1850
Weight	220 Kg (485 lbs)
Height of the seat (mm)	530 - 720 mm
Height of the Table VX2000	870 mm
Height of the table version H	735 - 895 mm
Maximum weight for the table	External position 15 Kg (33 lbs) Internal position 25 Kg (55 lbs)
Maximum weight for the chair	135 Kg (297 lbs)
Voltage	230Vac 50 Hz (230Vac 60Hz – 110Vac 60Hz)
Working table voltage	Instrument 1 = 12 V / Instrument 2 = 220 V
Standards	ISO 9001:2008 - ISO 13485:2012

VX1200

2 INSTRUMENTS UNIT WITH SLIDING TABLE

Compact and complete refraction unit, the VX1200 allows the eye care professionals to realize a refraction in a minimum of time and makes the set of necessary instruments available for their practice thanks to its sliding table.



FEATURES AND BENEFITS

- > Motorized phoropter arm included
- > Panel control included, also delivered with a remote control for more comfort
- > Drawer for trial lenses set
- > Available right and left hand
- > Column with ambient led light and support for the chart projector
- > Electrical elevation of chair
- > Foot rest
- > Arm rests



VX1200

Chairs and Stands

TECHNICAL SPECIFICATIONS

REF. 8115-1200-01 VX1200 (Right hand)
8115-1200-02 VX1200 (Left hand)

General data	
• Dimension (working position)	1000 x 1188 mm
• Dimension (Rest position)	1000 x 1706 mm
• Weight	250 kg
• Max weight on the table top	2 x 25 kg
• Seat Height	520 to 680 mm
• Table top height	860 mm
• Main power supply	230 Vac 50 Hz (230 Vac 60 Hz - 110 Vac 60 Hz)
• Table top power supply	230 Vac x2 , pre wiring for vx 70 slit lamp

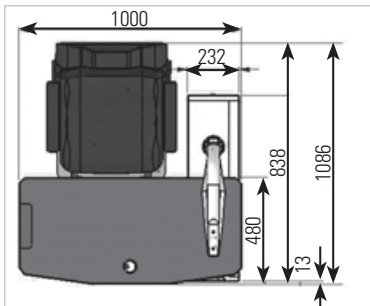
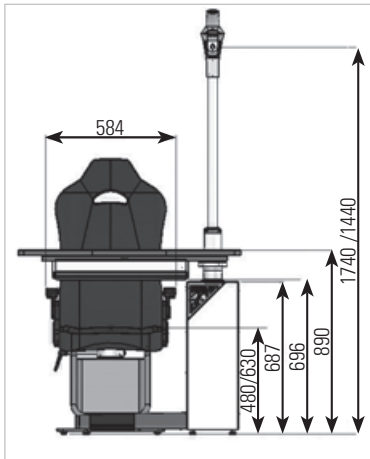
Features	
• Chair with removable arm rest	•
• Foot rest	•
• Reclinable back rest	-
• Chair rotation	•
• Electrical phoropter arm	•
• Trial lenses drawer	•
• Ambient light	•
• Remote control	•
• Sliding table top	•

VX1000

COMPACT 2 INSTRUMENTS UNIT

Comfortable and compact refraction unit, the VX1000 adapts itself to all environments even the smallest one.

It is the ideal solution for refraction daily practice.



FEATURES AND BENEFITS

- > Motorized phoropter arm included
- > Panel control included, also delivered with a remote control for more comfort
- > Drawer for trial lenses set
- > Available right and left hand
- > Column with ambient led light and support for the chart projector
- > Electrical elevation of chair
- > Foot rest
- > Arm rests



VX1000
Chairs and Stands

TECHNICAL SPECIFICATIONS

FEATURES	
Chair with removable arm rest	•
Foot rest	•
Reclinable back rest	-
Chair rotation	•
Electrical phoropter arm	•
Trial lenses drawer	•
Ambient light	•
Remote control	•

REF.	8115-1000-01 Right version with 2 instruments table 8115-1000-02 Left version with 2 instruments table
Dimensions	1000 x 1086 (working position) 1000 x 1706 (rest position)
Weight	250 Kg
Height of the seat (mm)	520 to 680 mm
Maximum Height of the Table	840 mm
Main power supply	230 Vac 50 Hz (230 Vac 60 Hz – 110 Vac 60 Hz)
Table top power supply	230 Vac x2 , pre wiring for vx 70 slit lamp

REFRACTION UNITS FEATURES AND OPTIONS

	VX1000	VX1200	VX2000 VX2000 H	VX3000 VX3000H	Combi 400	Combi 7000 - 5500
Control panel with buttons	•	•			•	•
Control panel with LCD screen			•	•		
Variable lightening						
Screed lock mechanical system						
Screed lock electro-mechanical system			•	•	•	•
Projector support			•	•	•	•
Electric elevation of chair	•	•	•	•	•	•
Seat rotation	•	•	•	•	•	•
Electric arm	included	included				
Inclination of back-rest			•	•	•	•
Removable foot rest			•	•	•	•
Removable arm rest	•	•	•	•	•	•
Number of instruments	2	2	2	3	3	4
Additional furnish with drawers			•	•	•	•

	Reference	VX1200	VX1100	VX2000 VX2000 H	VX3000 VX3000H	Combi 400	Combi 7000 - 5500
Counter balanced Phorofter righ Arm	7060017			•	•	•	
Counter balanced Phorofter left Arm	7060025			•	•	•	
Automatic phorofter arm right VX2000	8115-8200-01			•			
Automatic phorofter arm left VX2000	8115-8200-02			•			
Automatic phorofter arm Right VX3000	8115-8300-01				•		
Automatic phorofter arm left VX3000	8115-8300-02				•		
Electrical backward/forward movment for chair	7720034			•	•		•
Manual backward/forward chair movement	7240030			•	•		•
Trial lens tray	8105-8003-00			•	•	•	•
Wheel chair access (castor version)	8105-8200-00			• (only H version)	• (only H version)		
Desk	8115-8000-01			•	•	•	•
Combo drawer	8115-8003-00			•	•	•	•
Projector support	8115-8100-01						

FLOOR STAND WITH MANUAL PHOROPTER ARM

Right Hand Version
REF. 8105-8024-00

Left Hand Version
REF. 8105-8025-00



FEATURES AND BENEFITS

Compact set for small spaces

- > Phoropter arm
- > Simple and functional
- > Easily assembled
- > Floor space inferior to 1 m²

REFRACTION UNITS OPTIONS



REF. 8115-8200-01

Automatic phoropter arm right VX2000

REF. 8115-8200-02

Automatic phoropter arm left VX2000

REF. 8115-8300-01

Automatic phoropter arm right VX3000

REF. 8115-8300-02

Automatic phoropter arm left VX3000



REF. 7060017

Counterbalanced phoropter right arm

REF. 7060025

Counterbalanced phoropter left arm



REF. 8115-8003-00

Combo drawer (4 drawers)



REF. 8115-8000-01

REF. 8115-8000-02

Desk left hand



REF. 7720034

Electrical backward/forward movement for wheel chair access

REF. 7240030

Manual backward/forward movement for wheel chair access



REF. 8105-8200-00

VX2000H - VX3000H only

180° rotation for wheel chair access



REF. 8105-8003-00

Trial lens tray for large trial lens set (232 lenses)

