

performanceLine

Our classic

It represents proven and time-tested technology in a modern design, it is deliberately low-tech, and it offers an extremely attractive price-performance ratio.

Its chief benefits include space-saving design and outstanding maneuverability coupled with a lean range of easy-to-manage functions.

Do you want flexible use in confined spaces with power-supply independent battery operation?

Then you should go for our classic: The **500 XLE**, **500 XLE comfort** or **500 bariatric**, for optimal combination with our **surgiLine** and **surgiTrend** surgeon's chairs.

performanceLine systems are designed for user satisfaction

Designed for continuous use in serially equipped operating rooms with high patient turnover, the **performanceLine** satisfies every user thanks to its easy handling before, during and after the surgery.

An award-winning "Preventive Technology", the **performanceLine** works hard to protect your surgical staff from back problems, thanks to its lightweight construction and easy maneuverability.



**Less is more -
more benefits**

500 XLE comfort

Item No.: 1500 0006
+ 3037 0080



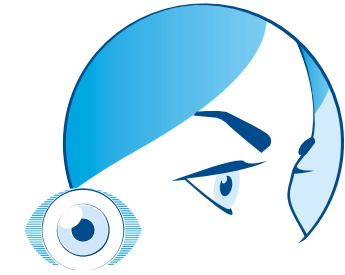
500 XLE

Item No.: 1500 0006

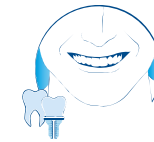


500 bariatric

Item No.: 1500 0002



Ophthalmic surgery



Implantology
Oral surgery
Maxillofacial surgery



Aesthetic surgery
Plastic surgery
Hair transplantation



Hand surgery

500 XLE

Item No. : 1500 0006

The perfect reclining treatment chair for rotation systems in outpatient operating rooms.

**Powerful
and agile**



MED.TEC at its highest level

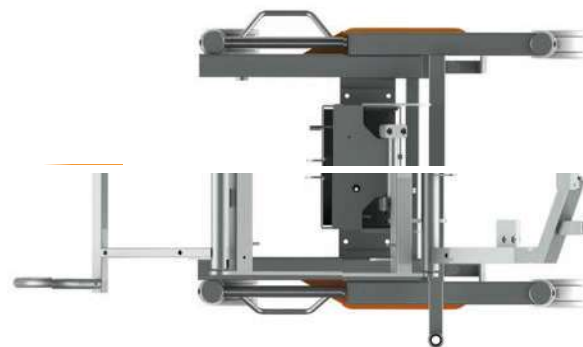
Double castors

Four fully rotating double-run castors for back-friendly, easy rolling motion.



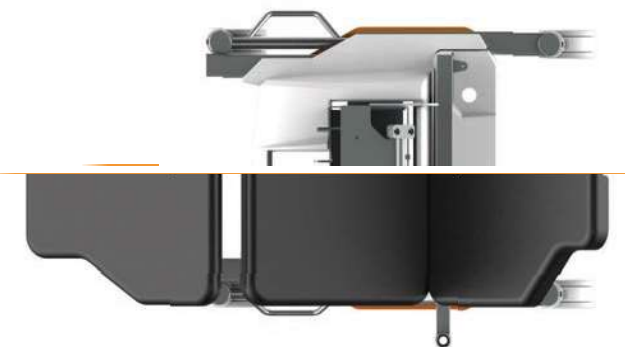
Chassis / frame

Precision steel frame chassis, zinc primed with anthracite textured paint coating.



Chassis cover / upholstery

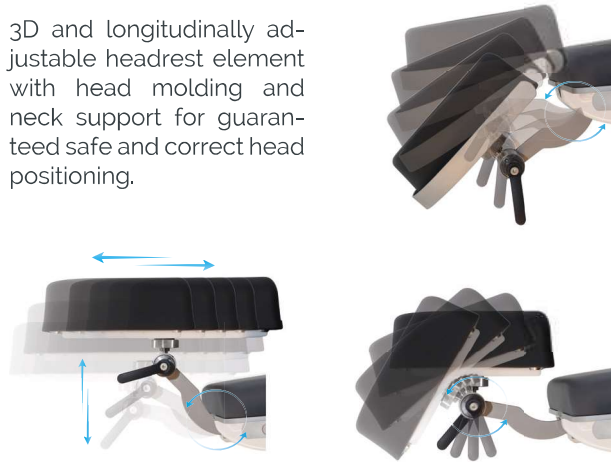
The mirror-finish plastic cover panels with their scratch-resistant and impact-modified surface finish are extremely hygienic and easy to disinfect.



Precise positioning of the head part

Headrest

3D and longitudinally adjustable headrest element with head molding and neck support for guaranteed safe and correct head positioning.



Accessories

NEW

Headrest with ball joint and more

Discover additional features and extensive accessories on page 34-35.

Item No.: 3351 1021



Sterile adjustment by surgeon / maximum legroom



Flexible reaction by foot control

Removable footswitch for infinite electronic height and head adjustment including reactivation button from the stand-by mode.



Positioning

The 500 XLE treatment chair is designed for ergonomic and comfortable patient positioning and treatment, particularly for outpatient surgical techniques. It offers versatile adjustment of the head, back, seat and leg sections and overall chair height for patient transport.

- Eight freely programmable memory positions
- Reset button
- Auto run function
- Battery charge indicator



Manual control

NEW

Multi-functional manual control

- Battery charge indicator
- Reset button
- CPR button
- Auto run function
- 8 free configurable memory positions



Positioning by hand control

Standard recommended memo keys

For additional desired Memo positions, the system features 3 additional numeric keys.



Mechanical maneuvering aid on the chassis



Operation via foot lever on the chassis

Activation of directional guidance

Pushing from the head direction



Pushing from the foot direction



Push handles

Detachable push handles on the foot ends for easy maneuvering.



Armrests

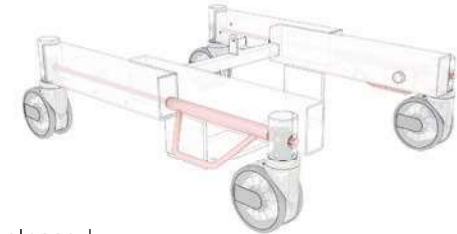
Hinged and removeable armrests for easy entry and exit as well as transfer of the patient.



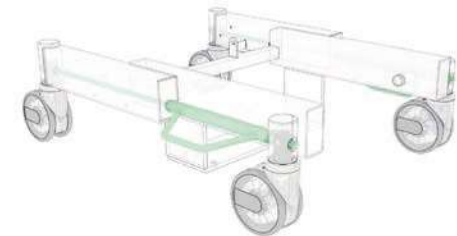
Braking system

Manually adjustable foot lever

Castors are braked



Castors are released, directional guidance is deactivated



Accessories

Additional handles / shoulder parts and more

Discover additional features and extensive accessories on page 33-34.



500 XLE comfort

Item No. : 1500 0006
+ 3037 0080

Our 500 XLE with extra thick upholstery, integrated knee support cushion and flattened neck area - for extra reclining comfort.

**Outstanding comfort,
particular flexibility.**



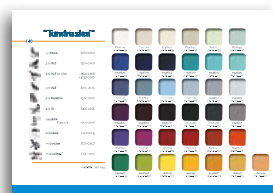
Upholstery

Comfort

Thick comfort upholstery and integrated knee support cushion, individually positionable to suit every patient's body height. The treatment chair featuring comfort upholstery is particularly well suited for longer surgical procedures (e.g. retina surgery).



Available in a wide variety of colours. Please refer to page 95 for our complete range of colours.



Flexibility in every detail

Headrest

The flattened back cushion of the Comfort upholstery in the neck area offers maximum freedom of movement for the headrest.



Integrated knee support cushion

Optimum patient comfort thanks to the integrated knee support cushion which can be easily adjusted to accommodate any patient height.

An optional legrest extension can be attached when treating tall or very tall patients.



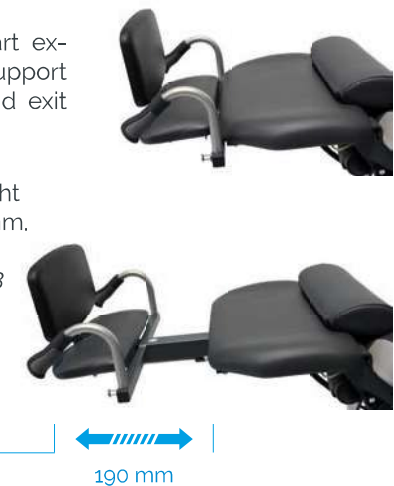
Accessories

Foot part extension

Adjustable foot part extension incl. foot support for easier entry and exit of the patient.

Besides, entry height is reduced by 80 mm.

Item No.: 3351 1028



Technical specifications



Chassis

- Frame profile 90 x 50 mm
- Outside length 785 mm
- Outside width 720 mm
- Steel tube frame, powder-coated elegant anthracite matte finish
- Brake operable from both sides and acting on two castors each; two castors featuring independent directional steering function
- Double rimmed castors \varnothing 125 mm
- Detachable foot keypad
- Emergency stop button
- Visible screws are made of stainless steel
- With equipotential bonding connection

Trendelenburg / Reverse Trendelenburg

Upper frame

- 4-part support frame (head, back, seat, leg part)
 - Removeable upholstery
 - Width of upholstery 610 mm
 - Width incl. armrests 850 mm
 - Length 1.760 – 1.900 mm
(incl. foot part extension) + 190 mm
- | | Angle | Dimensions (Lx W) |
|---------------------|-------------|---|
| - Head part | -29° / +35° | 255 x 245 mm |
| - Back part | 0° / +83° | 610 x 610 mm |
| - Seat part | -5° / +35° | 450 x 610 mm |
| - Leg part | 0° / +77° | 510 x 610 mm |
| - Height adjustment | | 625 – 925 mm
(comfort) 655 – 955 mm |
| - Armrests | 0° / +180° | (2 x) 470 x 75 mm |
| - Trendelenburg | -12° / +5° | |
| - Entry height | | 580 mm
(comfort) 610 mm
(incl. foot part extension) - 80 mm |
| - Legroom | | 520 – 820 mm |

Back part / Leg part

Electrical control

- All components according to IPX4
- Manual keypad with 8 individually programmable memory positions, auto run function, reset button
- Foot keypad with 4 footswitches and reactivation button

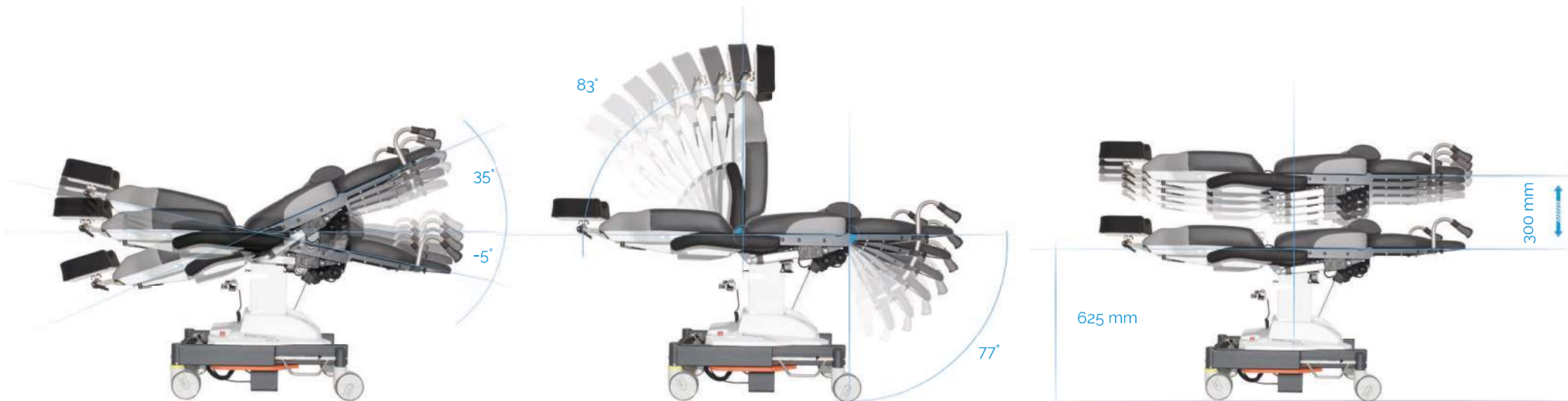
Electric Drives

- Head, back, seat, leg part, total up / down
- Trendelenburg / Reverse Trendelenburg

Lifting column

- Max. lifting 300 mm
- Max. patient weight 250 kg
- Motors IPX4 with HAL sensors, to be memorized

Height adjustment



Powerful accumulators

- Battery box with 2 batteries (lead-gel), pollution free, maintenance-free, cadmium-free 2 x 12 V 7,2 Ah
- As back-up-system exchangeable without tools
- Acoustic low voltage signal for discharge protection
- Universal battery charger Input: 100-240 V Output: 24 V

Operating time per battery charge

- Measured by operating circle (Prepare-Operate-Recover) 100 OPs
- Quantity of operating circles depends on individual operation

Further technical details

- Chair has detachable, swiveling armrests made completely with PUR foam
- Detachable seat for service friendly access to electric components
- Max. load 250 kg
- Weight 135 kg

Subject to technical modifications.

Mains-free operation

Easy recharging of the equipment thanks to charging adapter and integrated battery charger circuit board.



Simple battery replacement

Extra security thanks to exchangeable battery drawer. The rechargeable batteries can be replaced quickly thanks to the rechargeable battery drawer.



Equipment protection - cover drape *stayClean*

100x73 cm, box à 240 Pieces
4x60 Pieces Item No.: 3016 0001

200x73 cm, box à 160 Pieces
4x40 Pieces Item No.: 3034 0014

Page 62



Colour card

Standard colour
500 *XLE*
500 *XLE comfort*

anthracite Item No.: 3037 0052
anthracite Item No.: 3037 0052
+ Item No.: 3037 0056

"Tundra skai"
Page 95



Accessories



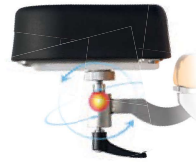
PERFORMANCE
LINE



500 XLE
Item No. : 1500 0006



500 XLE comfort
Upcharge comfort upholstery incl. integrated knee roll, upcharge
Item No. : 1500 0006 + 3037 0080



Headrest with ball joint,
360° all-round adjustment,
factory-fitted

Item No.: 3351 1021



Side parts (right+left)
swiveling incl. locking,
upholstered, 580 x 200 mm

Item No.: 3351 0012



Norm rail seat part

Item No.: 3351 0047



Side parts (right+left)
incl. quick-release clamp for
mounting on norm rail
(without norm rail 3351 0047),
580 x 200 mm

Item No.: 3351 0050



Backup battery

Item No.: 3047 0000



Sliding handles back part

Item No.: 3351 0046



Additional handles, pair

Item No.: 3351 0017



Padded arm board
with universal joint,
with wrist secure straps

Item No.: 3351 0011



Flexible surgical drape
support rod

Item No.: 3205 0000



Flexible surgical drape
support rod with air
connection

Item No.: 3206 0000



Hand control holder for
attachment onto an I.V. Pole
Ø 25 / 18 mm, PVC

Item No.: 3351 1022



Hand control holder, PVC

Item No.: 3351 1023



Head part bumper stainless steel

Item No.: 3028 0000



Wrist rest incl. mounting plate 30130000, adjustable

Item No.: 3014 0000



Wrist rest incl. mounting plate 30130000, adjustable, tiltable

Item No.: 3014 0005



Mounting plate stainless steel for the wrist rest 30140000

Item No.: 3013 0000



Head fixation pillow with hollow (rubins pillow), 41 x 25 cm, height 10 cm

Item No.: 3022 0000



Facial pillow, horseshoe-shaped, incl. adapter plate, factory-fitted, upcharge not discountable

Item No.: 3351 1016



Instrument table 50 x 30 x 1,5 cm, height adjustable, swiveling, detachable, incl. monitor arm

Item No.: 3065 0000



Shoulder parts right and left

500 **XLE**

Item No.: 3071 0000

500 **XLE** *comfort*

Item No.: 3071 0001



Half round bolster pillow 60 x 28 x 14cm, cushions knees, PUD-coated

Item No.: 3019 0000



Full round bolster pillow, cushions knees, 50 x 15 cm, PUD-coated

Item No.: 3050 0000



Wrist secure straps, pair

Item No.: 3015 0000



Bodystrap with Velcro straps 2-piece

Item No.: 3083 0000



Foot part extension incl. foot support, factory-fitted, upcharge

Item No.: 3351 1028



Foot protection foil

Item No.: 3092 0001



I.V. Pole stainless steel Ø 25 / 18 mm, one-hand height-adjustable 1070-1660 mm, 4 hooks, max. 2 kg 8,4 lbs/hook, glass and holder
Item No.: 3068 0000



Monitor arm stainless steel, swiveling, incl. extendible I.V. Pole Ø 25 mm

Item No.: 3024 0014



Accessory mounting support, stainless steel

Item No.: 3351 0037



Cylinder holder

Item No.: 3072 0002



Hand operating table with mounting clamp, table top and supports on castors height adjustable

Item No.: 3313 0000



Instrument table **supportLine** height adjustable 73-98,5 cm

Item No.: 3351 0026

supportLinePlus

height adjustable 93-118,5 cm
Item No.: 3351 0045



stayClean cover drape for treatment chair, 100 x 73 cm, box à 240 pieces
Item No.: 3016 0001
200x73 cm, box à 160 pieces
Item No.: 3034 0014